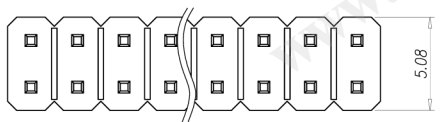


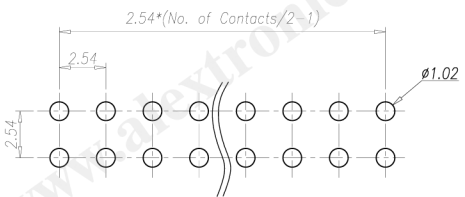
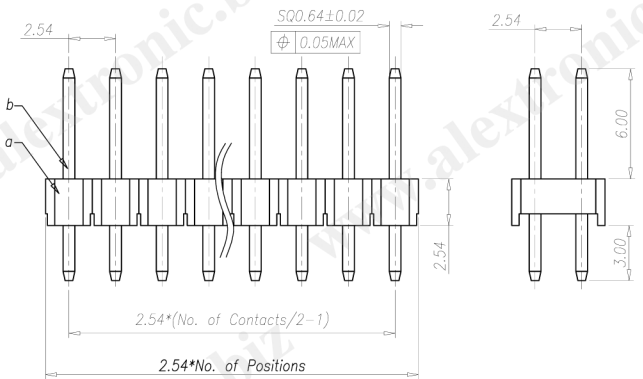
CATEGORY	DESCRIPTION	P/N #
CONNECTOR	2.54mm PIN HEADER, V/A, T/H	PHD10V-XX070-0091

REV.	ECN NO	DESCRIPTION	REVISED	DATE
A01		New Release	Luguan	2009.08.13

- SPECIFICATION
- CURRENT RATING : 3 Amp MAX.
 - DIELECTRIC WITHSTANDING VOLTAGE : AC 500V
 - INSULATION RESISTANCE: 1000MΩ MIN.
 - OPERATING TEMPERATURE : -40° C TO +105° C



PART NO.:
PHD10V-XX070-0091
Terminal Q'TY: 04~80



Recommend PCB Layout
(Jack Top View)
Tolerance: ±0.05mm
Recommend PCB Thickness: 1.6mm

See PART NO.

Product Drawing
ALEXTRONIC

b	Terminal	XX	Brass, SQ0.64mm	Gold Flash Plating	
a	Housing	1	PA UL94V-0	Black	
NO.	PART NAME	Q'TY	MATERIAL	PLATING & COLOR	Remark

UNLESS OTHERWISE SPECIFIED TOLERANCES	SCALE:1/1	UNIT: mm	⊕ ⊖	DWG.NO:
	SIZE: A3	PAGE:1 OF 1	REV:A01	WI-061-656
DECIMALS: X :±0.5 X.X :±0.3 X.XX :±0.2	ANGLES: X :±2° X.X :±1°	APPROVED BY	CHECKED BY	PREPARED BY
		WYX	Pengjie	Luguan
CUSTOMER COPY				